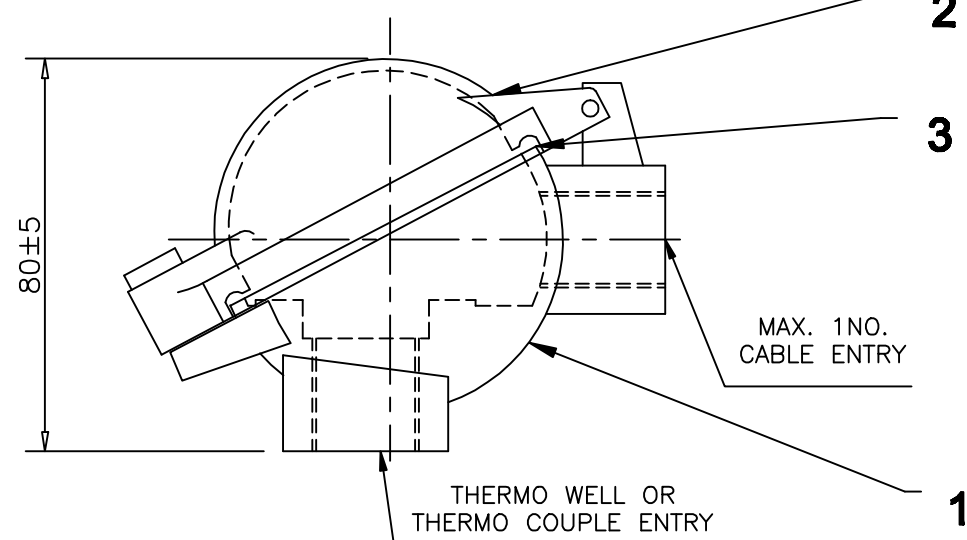
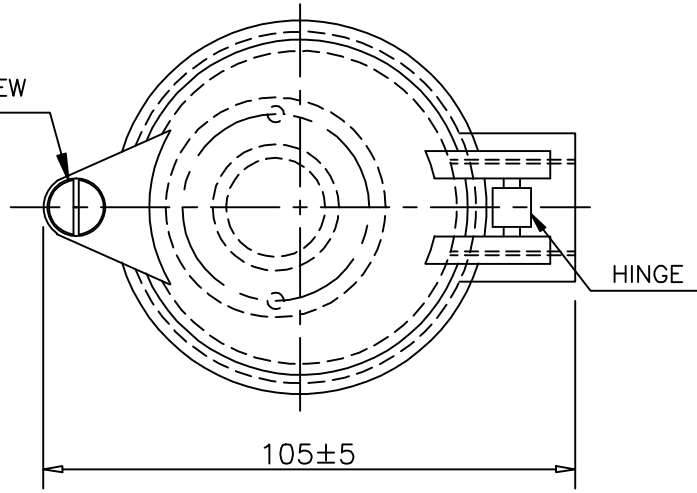


NON FALLING SCREW



TECHNICAL DATA

PROTECTION :-
IP-65

MATERIAL OF CONSTRUCTION :-
SS304 / SS316

HARDWARE :-
STEEL ZINC PLATED / STAINLESS STEEL

GASKET:-
ENDLESS NEOPRENE 'O' RING/GASKET

EARTHING :-
1 NO. INSIDE & 1 NO. OUTSIDE

FINISH :-
UNCOATED/UNPAINTED (NATURAL FINISH)

CABLE ENTRY :-
1 NO. 3/4"ET OR 1/2"NPT

THERMO WELL OR THERMO COUPLE ENTRY :-
1/2"NPT OR 1/2"BSP.

03.	GASKET (ENDLESS, MOULDED)	1	NEOPRENE
02.	COVER	1	OPTIONAL
01.	BODY	1	OPTIONAL
NO.	DESCRIPTION	QTY	MAT./RATING

CLIENT :-		DRAWN	MGP	01.02.17
CONSULTANT :-		APP'D	HPB	01.02.17
P.O.NO. :-		CH'D	NPB	01.02.17

DESCRIPTION:-		
WEATHERPROOF THERMOCOUPLE / RTD HEAD.		
SHT.NO.	REV.	DRG.NO.:-
1 OF 1	0	M04

THE INFORMATION CONTAINED IN THIS DRAWING IS THE PROPERTY OF KAYSONS TECHNO EQUIPMENTS PVT. LTD. AND IS NOT TO BE COPIED OR MISUSED IN ANY WAY.

ISSUE	DATE	BY	MODIFICATION

KAYSONS 1802/7, G.I.D.C. ESTATE,
TECHNO EQUIPMENTS PVT LTD V.U.NAGAR 388121. (GUJARAT)